

ST



50 / 80 / 100 / 120 / 150 / 200 *lt*

Thermoelectric water heater
with serpentine
Vertical (right or left coil connections
of your choice)

+ Why to choose it:

- It was created to be combined with the system central heating of the house, so as to benefit from the heat exchange indirect, and reduce energy consumption.
- It has a classic resistance in support of the heat released by the internal coil, to bring the water up to temperature desired

* refers to electric operation only, without thermal energy

TECHNICAL DATA

	ST50	ST80	ST100	ST120	ST150	ST200
Thermal Dispersiom 50° (KWh/24h)	0,98	1,32	1,51	1,84	2,09	2,41
Power (W)	1200	1200	1500	1500	2000	2000
Voltage (V)	230	230	230	230	230	230
Heating time (Δt 50°)	145'	232'	245'	280'	310'	372'
Max working temperature (C°)	65	65	65	65	65	65
Max working pressure (bar)	8	8	8	8	8	8
Protection against humidity	IPX4	IPX4	IPX4	IPX4	IPX4	IPX4
Insulation class	I	I	I	I	I	I
Profile	M	M	M	L	XL	XL
Energy Class	C	C	C	C	C	C

EFFICIENCY COIL / HEAT EXCHANGER

LOAD MAX 80%

S mq	0,197	0,258	0,258	0,258	0,296	0,296
Load capacity mc/h	0,46	0,6	0,6	0,6	0,68	0,68
Kw eff. Δt 35° C	6,5	8,5	8,5	8,5	9,8	9,8
Load loss MBAR	17	30	30	30	38	38
Exchanger connections	1/2" FEMALE	1/2" FEMALE	1/2" FEMALE	1/2" FEMALE	1/2" FEMALE	1/2" FEMALE



PRODUCT EQUIPPED WITH INTERNAL COIL TO EXPLOIT THE HEAT EXCHANGE OF THE HEATING SYSTEM



GLASS ENAMELED TANK



ABSENCE OF CFC; POLYURETHANE FOAM FOR ECOLOGICAL THERMAL INSULATION



HUMIDITY PROTECTION CLASS IPX4



COPPER HEATING ELEMENT



THERMOSTAT



LED CONTROL



ROHS COMPONENT



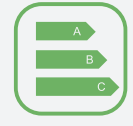
MAGNESIUM ANODE



POLYURETHANE FOAM CFC FREE

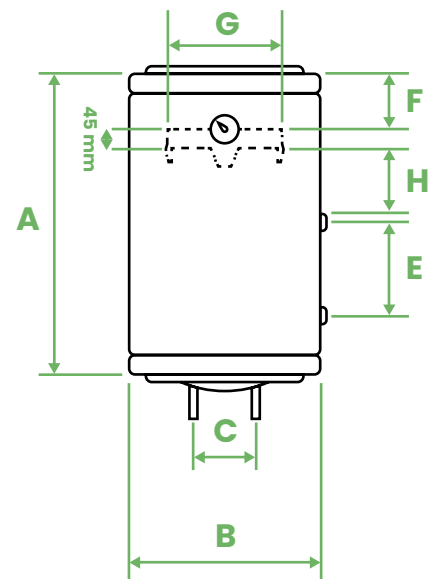
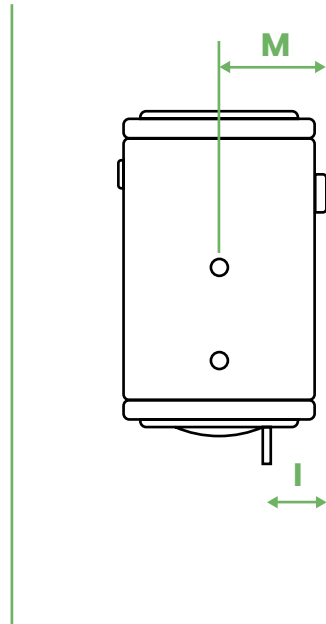
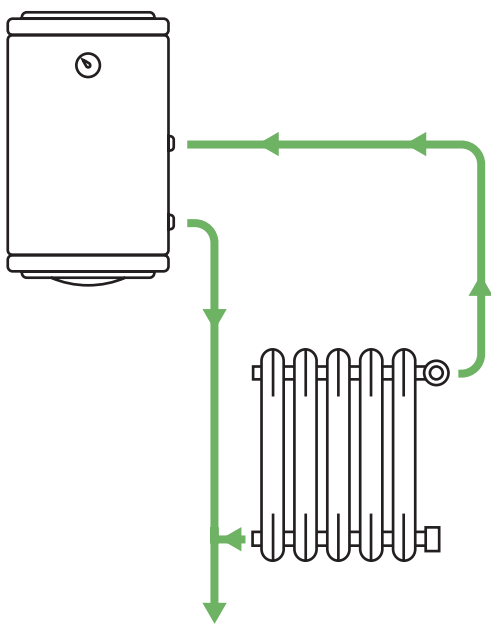


SMOKE CONTROL



ERP 2017

DIMENSIONS



	A	B	C	E	F	G	H	I	M
ST 50	510 mm	460 mm	100 mm	175 mm	130 mm	350 mm	20 mm	130 mm	240 mm
ST 80	700 mm	460 mm	100 mm	265 mm	130 mm	350 mm	40 mm	130 mm	240 mm
ST 100	805 mm	460 mm	100 mm	265 mm	130 mm	350 mm	180 mm	130 mm	240 mm
ST 120	1000 mm	460 mm	100 mm	265 mm	130 mm	350 mm	340 mm	130 mm	240 mm
ST 150	935 mm	550 mm	100 mm	350 mm	180 mm	350 mm	140 mm	130 mm	285 mm
ST 200	1105 mm	550 mm	100 mm	350 mm	180 mm	350 mm	280 mm	130 mm	285 mm